

VB-TVMount-01

NOTE

In roadmap, will GA soon.

Introduction

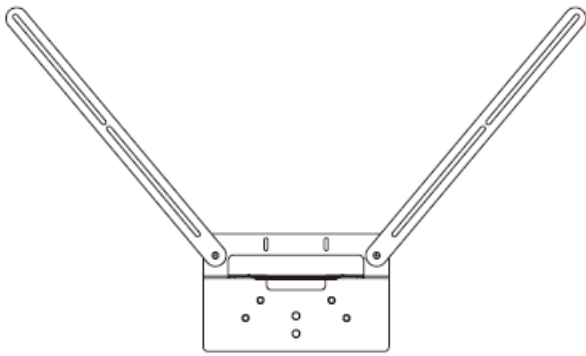
VB-TVMount-01 is a modular TV mount designed specifically for meeting environments, supporting flexible deployment of Yealink MeetingBar devices. Through its innovative modular design, this mount can be directly adapted to mainstream TV models, providing a stable hanging solution. With the VB-TVMount-01, the MeetingBar A50 can be installed at the bottom of the TV, or, using the included top mounting bracket, quickly reconfigured to switch to a top-mounted position, achieving the best alignment of device placement and spatial aesthetics. The bottom installation mode also supports compatibility with the Yealink MeetingBar A40. While ensuring safety, the VB-TVMount-01 provides an optimal spatial solution for video conferencing systems



Specification

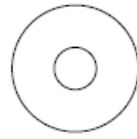
Parameter	Description
Dimension	<ul style="list-style-type: none">· Dimension(TV Mounting Bracket with bottom Bracket): 691mm * 309mm (Height x Width)· Dimension(TV Mounting Bracket with with Top Bracket): 670mm * 309mm (Height x Width)· Carton Meas: 636*213*364
Weight	<ul style="list-style-type: none">· N.W/CTN: 2.69KG· G.W/CTN: 3.548KG

Package Contents



TV Mounting Bracket

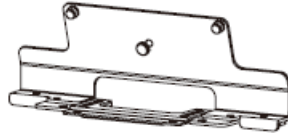
* Supports MeetingBar A40/A50, SmartVision 40



Gasket

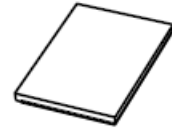


1/2 inch Screw



Top Mounting Bracket

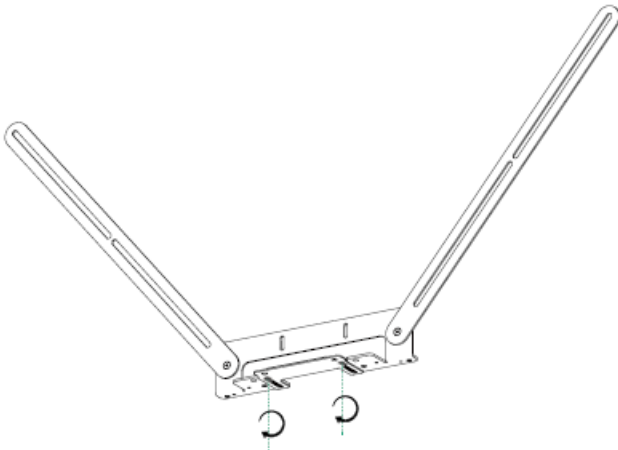
*Only supports MeetingBar A50



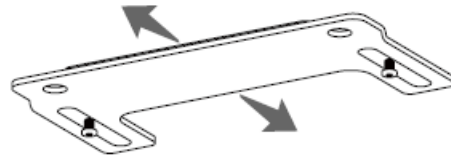
Quick Start Guide

Adjusting the Extension Bracket (Optional)

1 Loosen the screw

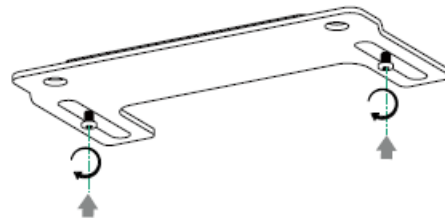


2 Adjust the extension bracket.



i Velcro needs to be able to stick to the bottom of the TV.

3 Fix the extension bracket



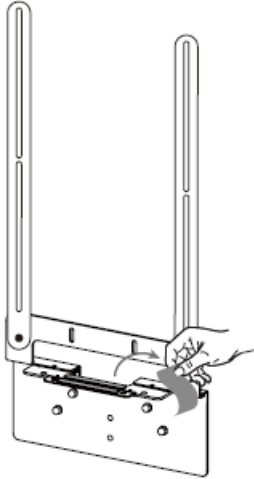
1. Loosen the screw.
2. Adjust the extension bracket.
3. Fix the extension bracket.

Assembling the VB-TVMount-01

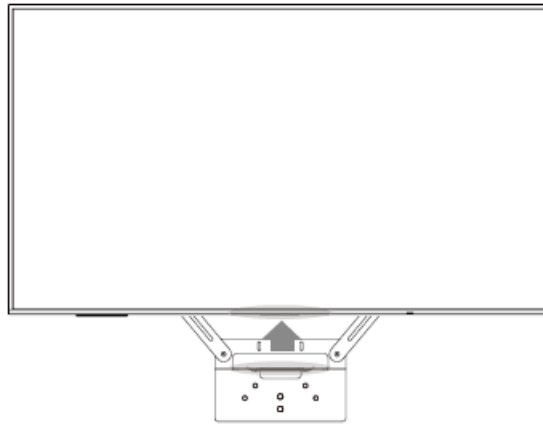
Before installation, adjust the extension bracket to the appropriate position. See 2 Adjusting the Extension Bracket.

Bottom Mounting

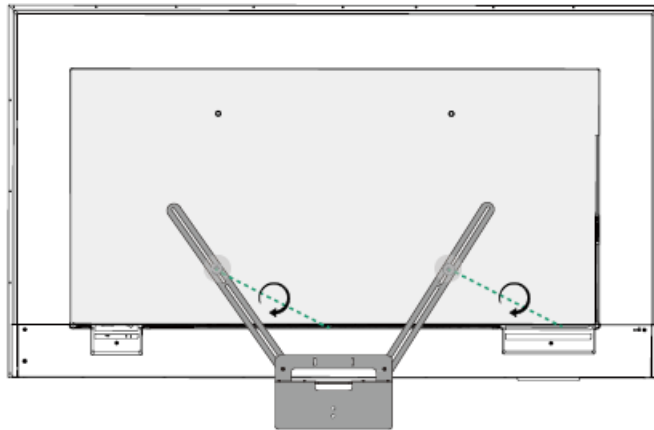
1 Remove the velcro



2 Stick the velcro to the bottom center of the TV.



3 Fix the bracket



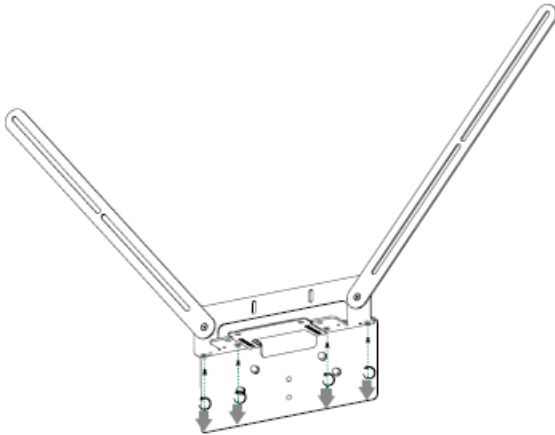
1. Remove the velcro.
2. Stick the velcro to the bottom center of the TV.
3. Fix the bracket.

NOTE

Gasket can be used when the gap between the back of the TV and the bracket is relatively large.

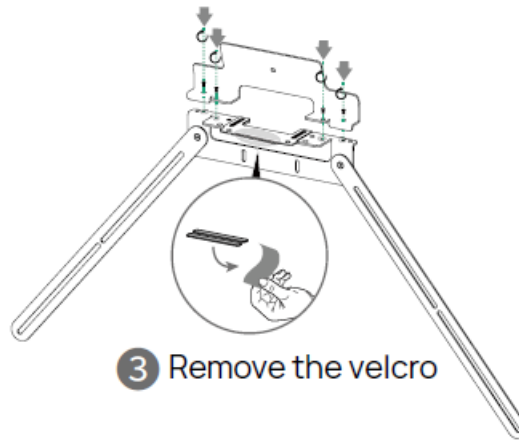
Top Mounting

1 Remove the Bottom Mounting Bracket



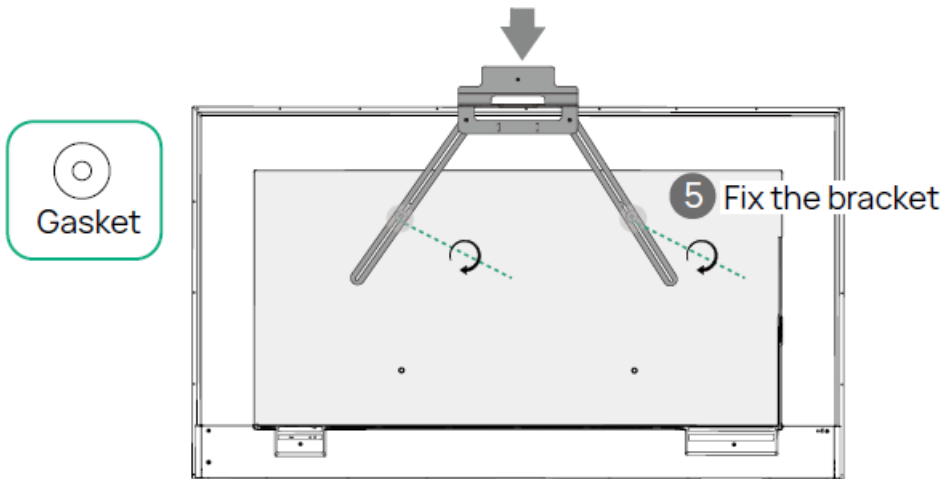
2 Fix the Top Mounting Bracket

i Rotate 180°



3 Remove the velcro

4 Stick the velcro to the bottom center of the TV.



5 Fix the bracket

1. Remove the Bottom Mounting Bracket.
2. Fix the Top Mounting Bracket(Rotate 180°).
3. Remove the velcro.
4. Stick the velcro to the bottom center of the TV.
5. Fix the bracket.

i NOTE

Gasket can be used when the gap between the back of the TV and the bracket is relatively large.