

BT8424

FLAT SCREEN CEILING MOUNT WITH TILT

Designed for ceiling-mounted screens up to 50kg in either landscape or portrait orientation, the BT8424 is available in four different drop lengths: 1m, 1.5m, 2m, and 3m. It features B-Tech's unique 'Torsion-Tilt' mechanism, allowing easy tilt adjustment up to +/-15°. Levelling screws on the interface arms enable precise screen height adjustments, and locking screws help prevent unauthorised removal. Cover plates are included for a neat and tidy installation.

SPECIFICATIONS

Recommended Screen Size	up to 65"
Max load	50kg
VESA® & non-VESA fixings	up to 468 x 400mm
VESA® compatibility	up to 600 x 400
Tilt	+/- 15°
Ceiling drop	1003m, 1503m, 2003m or 3003m*
Colour options	Black, Chrome or White (poles & ceiling mount)

FEATURES

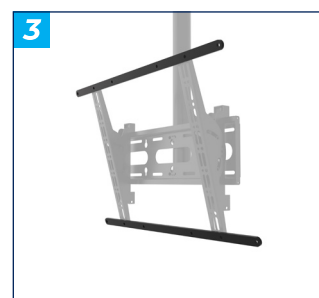
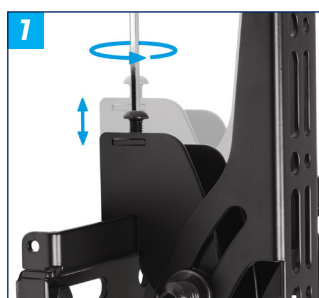
- 1** Levelling screws allow adjustment of the screen height once mounted
 - 2** Security locking screws and Allen key provide a secure installation
 - 3** VESA fixing can be increased to 600mm using the included adaptor arms
 - 4** Available in Black, Chrome or White
- Post installation screen alignment for perfect screen positioning
 - Unique 'torsion-tilt' mechanism for easy tool-less adjustment
 - Suitable for landscape or portrait mounting
 - Poles are supplied with safety bolt and grub screws for a secure installation
 - Integrated cable management
 - Cover plate included for a smart installation
 - Simple 'hook-on' installation with all mounting hardware included



Available in 4 pole lengths**

BT8424-100	1m Pole
BT8424-150	1.5m Pole
BT8424-200	2m Pole
BT8424-300	3m Pole

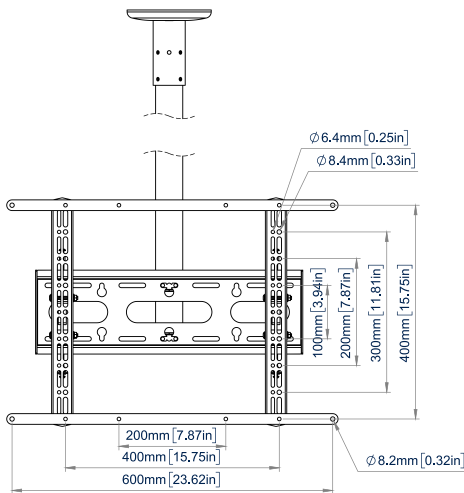
RECOMMENDED MAX SCREEN	MAX SCREEN WEIGHT	MAX VESA	POST INSTALL ALIGNMENT	TILT	COLOUR OPTIONS	QR CODE
65" 165cm	50kg	600 x 400		15° 15°		



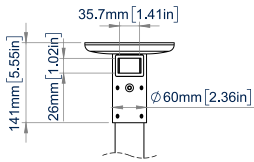
*From the ceiling to the centre of the mount

**White poles only available in 1m & 1.5m lengths

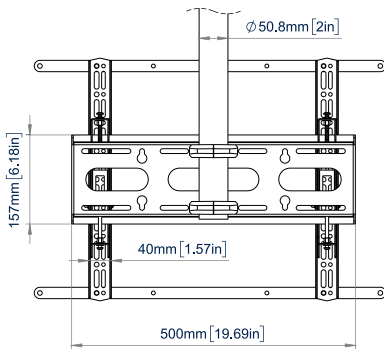
BT8424



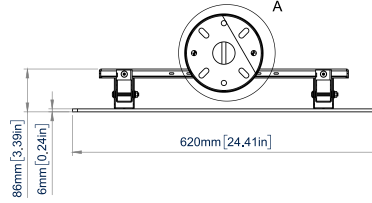
FRONT VIEW



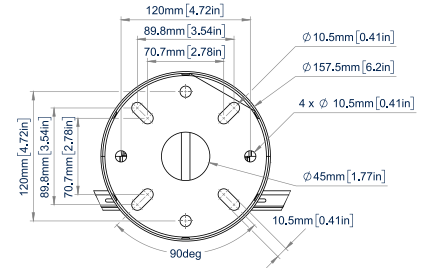
REAR VIEW



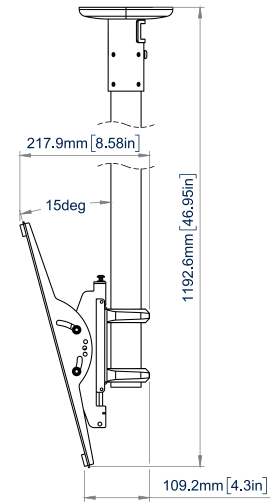
SIDE VIEW - NO TILT



**CEILING MOUNT
TOP VIEW**



**CEILING MOUNT
CLOSE UP**



SIDE VIEW - TILT DOWN

ORDERING INFORMATION

COLOUR	ORDER REF	EAN
Black w/ Black Poles	BT8424-100/BB	5019318089800
Black w/ Chrome Poles	BT8424-100/BC	5019318089855
Black w/ White Poles	BT8424-100/BW	5019318302275
Black w/ Black Poles	BT8424-150/BB	5019318089862
Black w/ Chrome Poles	BT8424-150/BC	5019318089879
Black w/ White Poles	BT8424-150/BW	5019318302282
Black w/ Black Poles	BT8424-200/BB	5019318089886
Black w/ Chrome Poles	BT8424-200/BC	5019318089893
Black w/ Black Poles	BT8424-300/BB	5019318087325
Black w/ Chrome Poles	BT8424-300/BC	5019318087332

RELATED PRODUCTS

PRODUCT CODE	NAME	DESCRIPTION
BT8426	Adjustable Drop Universal Flat Screen Ceiling Mount	Designed for screens up to 65"
BT8428	Back-to-Back Flat Screen Ceiling Mount with Tilt	Designed for screens up to 65"
BT8448	Extra-Large Flat Screen Ceiling Mount	Designed for screens over 65"
BT8552	Back-to-Back Flat Screen Display Stand	Designed for screens from 39" up to 65"

© 2014 B Tech AV Mounts Corporation Ltd. All rights reserved.
 The information in this specification sheet reflects the current technical specifications at the time of printing.
 We reserve the right to change the technical or physical specifications without prior notice. This is not intended to constitute a contract.
 B Tech AV Mounts Corporation Ltd. is not responsible for any loss or damage caused by improper installation or mounting on unsuitable structures. Any reproduction or use of information or specification of any part of this specification sheet is strictly prohibited unless prior written permission is granted by B Tech AV Mounts Corporation Ltd. BAC.

SS-V2-BT8424-05092024